

THIS IS A NEW SPECIFICATION



ADVANCED SUBSIDIARY GCE
PHYSICS A
 Mechanics

G481

Candidates answer on the question paper

OCR Supplied Materials:

- Data, Formulae and Relationships Booklet

Other Materials Required:

- Electronic calculator
- Protractor
- Ruler (cm/mm)

Tuesday 13 January 2009
Afternoon

Duration: 1 hour

Candidate Forename		Candidate Surname	
--------------------	--	-------------------	--

Centre Number								Candidate Number					
---------------	--	--	--	--	--	--	--	------------------	--	--	--	--	--

INSTRUCTIONS TO CANDIDATES

- Write your name clearly in capital letters, your Centre Number and Candidate Number in the boxes above.
- Use black ink. Pencil may be used for graphs and diagrams only.
- Read each question carefully and make sure that you know what you have to do before starting your answer.
- Answer **all** the questions.
- Do **not** write in the bar codes.
- Write your answer to each question in the space provided, however additional paper may be used if necessary.

INFORMATION FOR CANDIDATES

- The number of marks is given in brackets [] at the end of each question or part question.
- The total number of marks for this paper is **60**.



Where you see this icon you will be awarded marks for the quality of written communication in your answer.

This means for example you should:

- ensure that text is legible and that spelling, punctuation and grammar are accurate so that the meaning is clear;
- organise information clearly and coherently, using specialist vocabulary when appropriate.
- You may use an electronic calculator.
- You are advised to show all the steps in any calculations.
- This document consists of **16** pages. Any blank pages are indicated.

FOR EXAMINER'S USE		
Qu.	Max.	Mark
1	9	
2	8	
3	8	
4	10	
5	7	
6	9	
7	9	
TOTAL	60	

2

Answer **all** the questions.

- 1 (a) Define a *vector quantity*.

.....
 [1]

- (b) Circle all the vector quantities in the list below.

acceleration speed time displacement weight [1]

- (c) Fig. 1.1 shows graphs of velocity v against time t for two cars **A** and **B** travelling along a straight level road in the same direction.

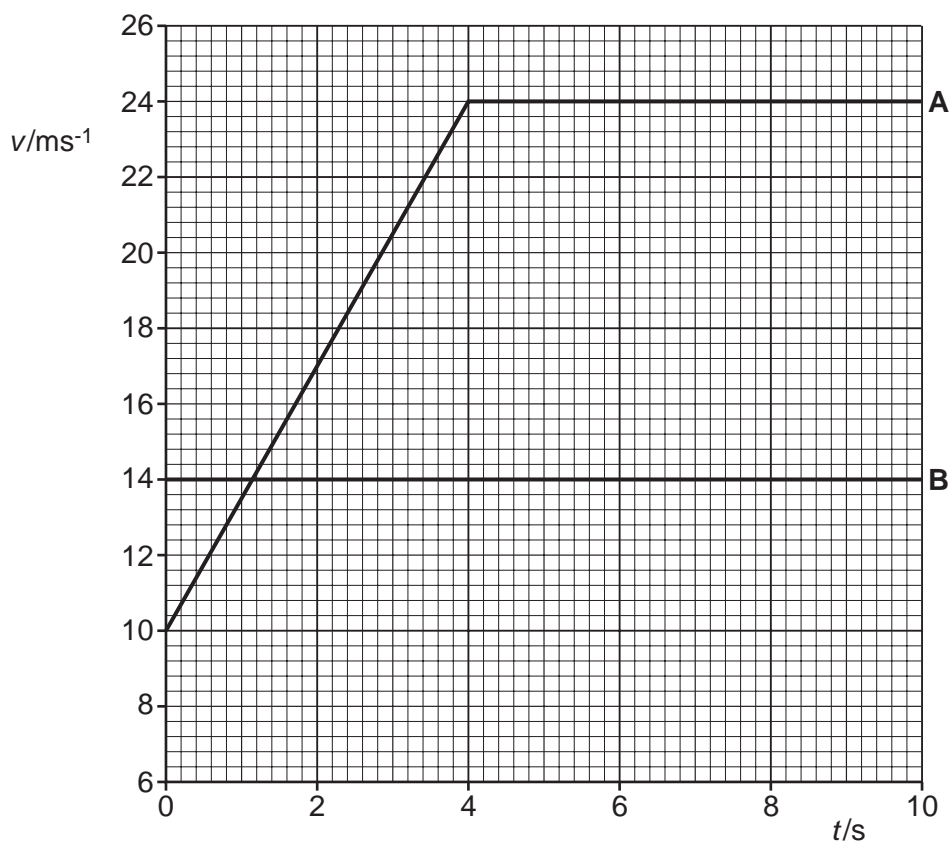


Fig. 1.1

At time $t = 0$, both cars are side-by-side.

- (i) Describe the motion of car **A** from $t = 0$ to $t = 10$ s.

.....

 [2]

3

(ii) Calculate the distance travelled by car **A** in the first 4.0s.

distance = m [2]

(iii) Use Fig. 1.1 to find

1 the time at which both cars have the same velocity

time = s [1]

2 the time t at which car **A** overtakes car **B**.

$t =$ s [2]

[Total: 9]

2 Fig. 2.1 shows the path of water from a hose pipe.

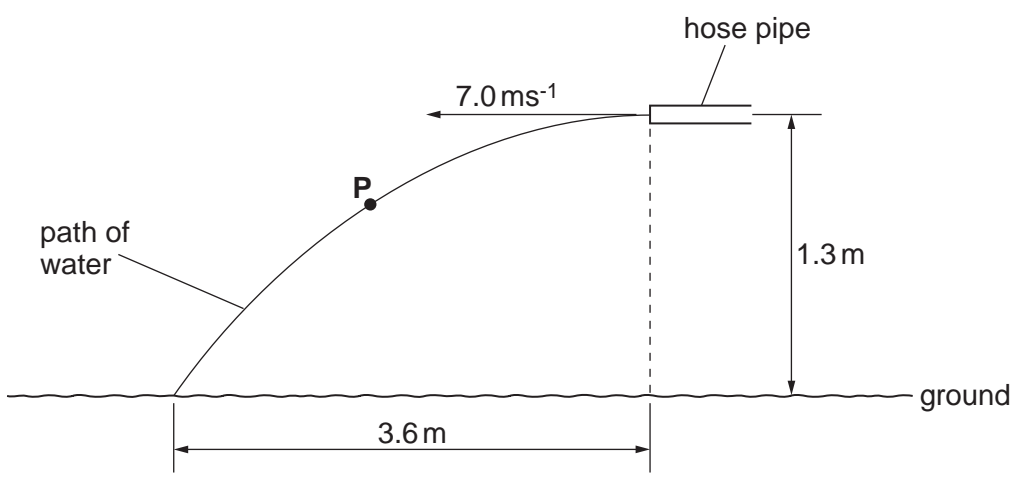


Fig. 2.1

The end of the horizontal hose pipe is at a height of 1.3 m from the ground. The initial horizontal velocity of the water is 7.0 ms^{-1} . The horizontal distance from the end of the hose pipe to the point where the water hits the ground is 3.6 m. You may assume that air resistance has negligible effect on the motion of the water jet.

- (a) On Fig. 2.1, draw an arrow to show the direction of the acceleration of the water at point P. (Mark this arrow **A**). [1]
- (b) Describe the energy conversion that takes place as the water travels from the end of the hose pipe to the ground.



In your answer, you should use appropriate technical terms, spelled correctly.

.....

.....

.....

..... [2]

- (c) Explain why the horizontal component of the velocity remains constant at 7.0 ms^{-1} . [1]
-
- [1]

5

(d) Show that the water takes about 0.5 s to travel from the end of the pipe to the ground.

[1]

(e) Show that the speed of the water when it hits the ground is 8.6 ms^{-1} .

[3]

[Total: 8]

3 (a) Define the *newton*.

.....
 [1]

(b) State why the equation ' $F = ma$ ' cannot be applied to particles travelling at speeds very close to the speed of light.

.....
 [1]

(c) Fig. 3.1 shows the horizontal forces acting on a car of mass 900 kg when it is travelling at a particular velocity on a level-road.

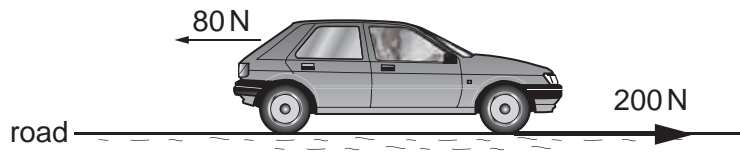


Fig. 3.1

The total forward force between the tyres and the road is 200 N and the air resistance (drag) is 80 N.

(i) Calculate the acceleration of the car.

acceleration = ms^{-2} [2]

(ii) Explain why we cannot use the equation $v = u + at$ to predict the velocity of the car at a later time even when the forward force is constant.

.....
 [1]

7

(d) Fig. 3.2 shows a person being lifted vertically upwards by a rope.

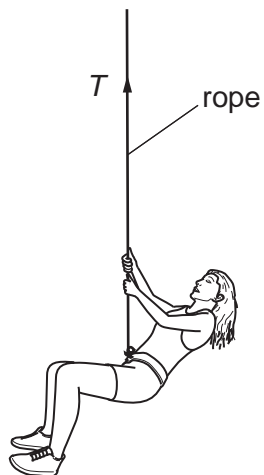


Fig. 3.2

The mass of the person is 72 kg. The upward vertical acceleration of the person is 1.4 ms^{-2} . Calculate the tension T in the rope.

$T = \dots\dots\dots \text{ N [3]}$

[Total: 8]

4 (a) Define *torque of a couple*.

.....
 [1]

(b) Explain why *moment of a force* and *torque of a couple* have the same unit Nm.

.....
 [1]

(c) Fig. 4.1 shows an irregular shaped metal plate of constant thickness that can swing freely about point P.

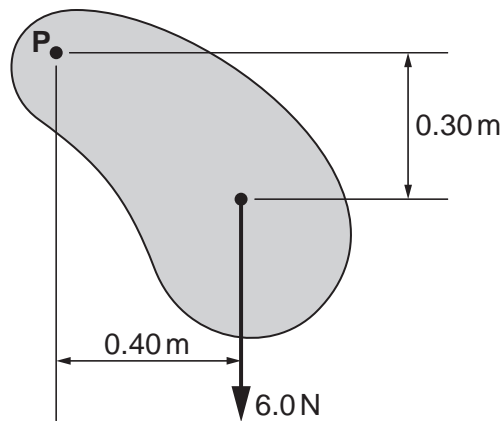


Fig. 4.1

(i) The weight of the plate is 6.0 N. With the plate in the position as shown in Fig. 4.1, calculate the clockwise moment of the weight of the plate about an axis through point P.

moment = Nm [1]

(ii) Explain why the moment of the weight reduces to zero when the plate reaches the bottom of the swing.

.....
 [1]

(d) Describe an experiment to determine the centre of gravity of the metal plate shown in Fig. 4.1.

.....

.....

.....

.....

.....

..... [3]

(e) Fig. 4.2 shows a section of the human forearm in equilibrium.

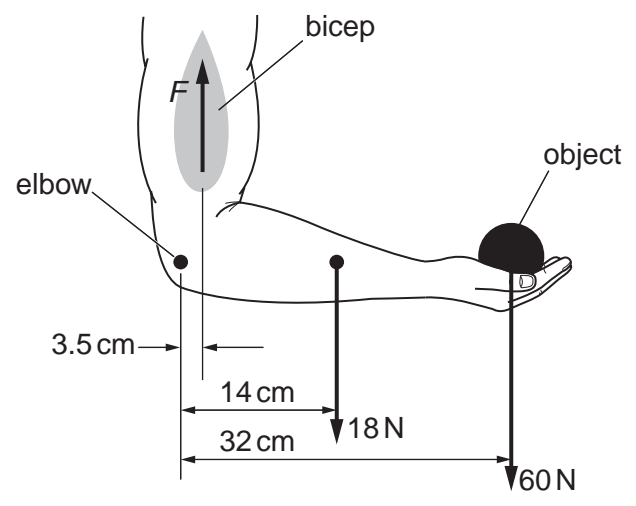


Fig. 4.2

The weight of the object in the hand is 60 N. The centre of gravity of this object is 32 cm from the elbow. The bicep provides an upward force of magnitude F . The distance between the line of action of this force and the elbow is 3.5 cm. The weight of the forearm is 18 N. The distance between the centre of gravity of the forearm and the elbow is 14 cm.

By taking moments about the elbow, determine the magnitude of the force F provided by the bicep.

$F = \dots\dots\dots$ N [3]

[Total: 10]

Turn over

5 (a) Fig. 5.1 shows a 20 N force acting at an angle of 38° to the horizontal.

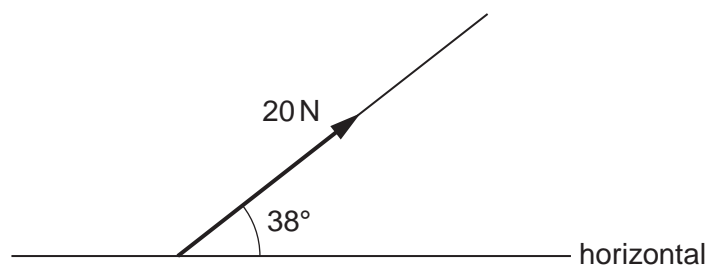


Fig. 5.1

Determine the horizontal and vertical components of this force.

horizontal component = N [1]

vertical component = N [1]

(b) Fig. 5.2 shows a metal block held in equilibrium by two wires.

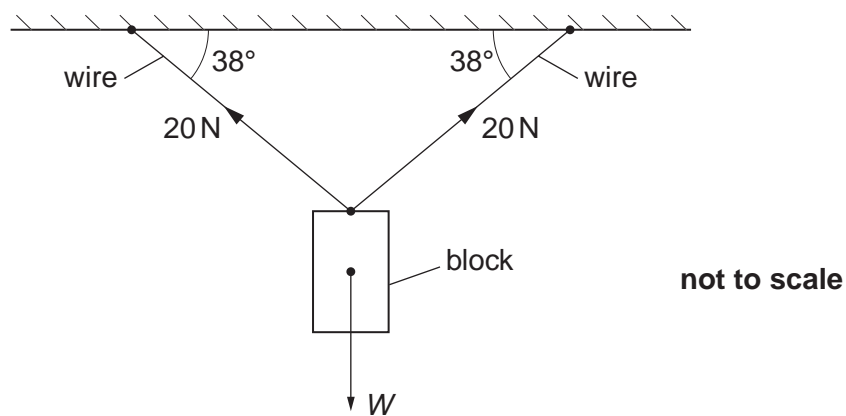


Fig. 5.2

The tension in each wire is 20 N.

(i) Show that the weight W of the metal block is about 25 N.

[2]

11

- (ii) The metal block has a volume of $2.9 \times 10^{-4} \text{ m}^3$. Calculate the density of the metal.

density = kg m^{-3} [3]

[Total: 7]

6 (a) Define *stopping distance* of a car.

.....
..... [1]

(b) State two factors that affect the braking distance of a car. Describe how each factor affects the braking distance.

.....
.....
.....
.....
..... [4]

(c) Describe how Global Positioning System (GPS) is used to locate the position of a car on the Earth's surface.
In your answer, you should use appropriate technical terms, spelled correctly.



.....
.....
.....
.....
.....
.....
.....
..... [4]

[Total: 9]

13

- 7 (a) In what form is energy stored when a metal wire is extended by a force?

..... [1]

- (b) A metal wire of length 1.2m is clamped vertically. A weight is hung from the lower end of the wire. The extension of the wire is 0.35mm. The cross-sectional area of the wire is $1.4 \times 10^{-7} \text{ m}^2$ and the Young modulus of the metal is $1.9 \times 10^{11} \text{ Pa}$.

Calculate

- (i) the strain of the wire

strain = [1]

- (ii) the tension in the wire.

tension = N [2]

Question 7 is continued over the page.

(c) There is great excitement at the moment about structures known as carbon nanotubes (CNTs). CNTs are cylindrical tubes of carbon atoms. These cylindrical tubes have diameter of a few nanometres and can be several millimetres in length. Carbon nanotubes are one of the strongest and stiffest materials known. Recently a carbon nanotube was tested to have an ultimate tensile strength of about 60 GPa. In comparison, high-carbon steel has an ultimate tensile strength of about 1.2 GPa. Under excessive tensile stress, the carbon nanotubes undergo plastic deformation. This deformation begins at a strain of about 5%. Carbon nanotubes have a low density for a solid. Carbon nanotubes have recently been used in high-quality racing bicycles.

(i) 1 The diameter of CNTs is a *few nanometres*. What is one nanometre in metres?

..... [1]

2 Explain what is meant by *plastic deformation*.

.....

 [1]

(ii) How many times stronger are CNTs than high-carbon steel?

.....
 [1]

(iii) State two advantages of making a bicycle frame using CNT technology rather than high-carbon steel.

.....

 [2]

[Total: 9]

END OF QUESTION PAPER